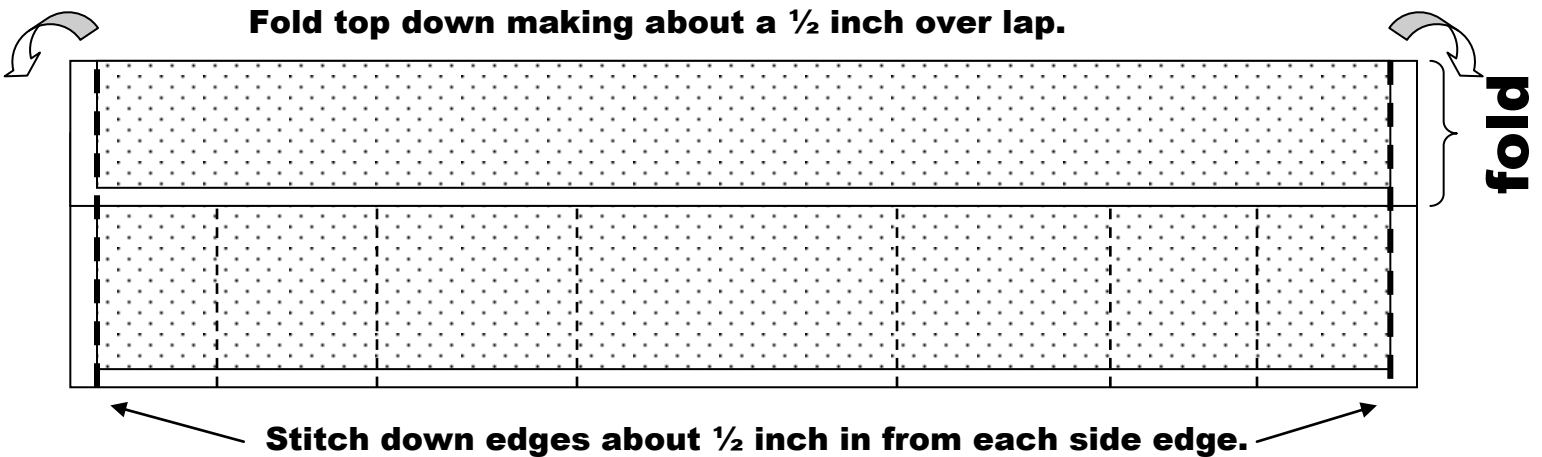
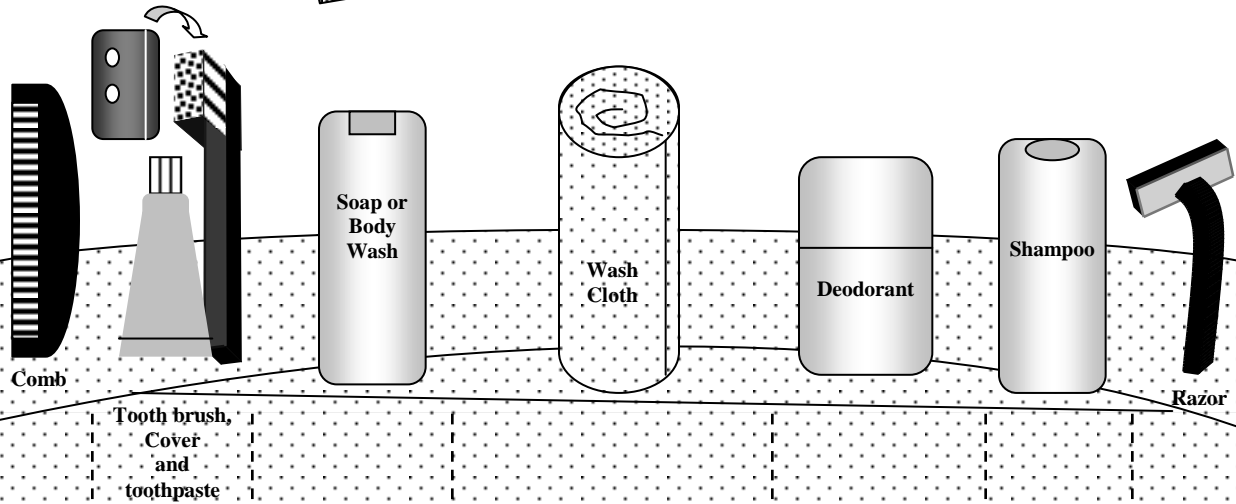
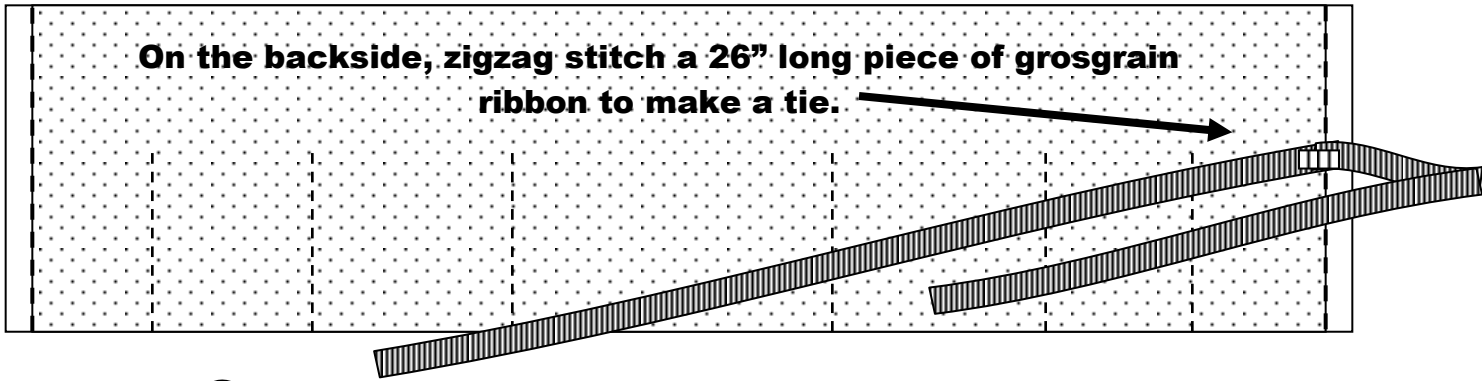


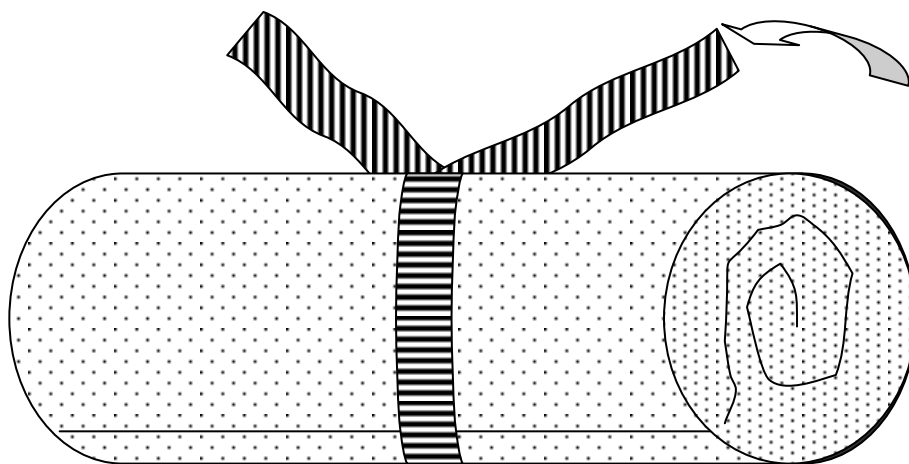
**Fold bottom up halfway.**  
**Measure 3 inches in from the left edge. Sew a line down from the edge to the bottom. Stitch again at 6 inches from the left edge. Then again at 10, 15, 19 and 22 inches.**



**On the backside, zigzag stitch a 26" long piece of grosgrain ribbon to make a tie.**



**Fill the pockets with healthcare supplies.**



**Roll up and tie in a bow. Tie on a card with an encouraging note if desired.**